

S7. Ans.(b)

Sol.

S8. Ans.(c)

Sol.

Except figure '3'. All other have arrow in clockwise direction.

S9. Ans.(d)

Sol. When the Government takes such an action it is necessary that people are made aware of the consequences they would face if they do not obey the directive. Hence II follows. I is obvious.

S10. Ans(c)

Sol. Against an epidemic, precautionary measures should be taken every year and not every four years. Hence I does not follow. II is not a preventive action against conjunctivitis. Hence II also does not follow.

S11. Ans.(a)

Sol.

The digit sum of all other options is 11.

S12. Ans.(d)

Sol.

Except 1R9, all other letters are written between the digits of their place value.

S13. Ans.(b)

Sol.

In all other the middle digit is small

S14. Ans.(d)

Sol.

In all other options both terms are perfect cube.

S15. Ans.(a)

S16. Ans.(b)

Sol. The pattern of the given series is $X^2+1, X^2-1, X^2+1, X^2-1, X^2+1$

S17. Ans.(c)

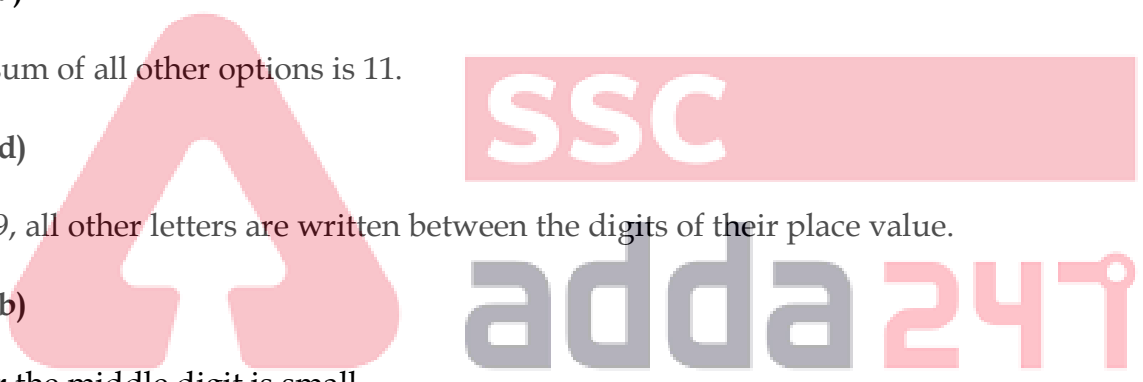
Sol.

The pattern is $X^2+3, X^3+4, X^4+5, X^5+6$

S18. Ans.(c)

S19. Ans.(c)

Sol. $(13 - 1) \times (13 - 1) = 144$



BILINGUAL

SSC
COMPLETE FOUNDATION
2020-21 Batch 2.0

Starts Dec 28, 2020

11 AM to 05 PM

S20. Ans.(a)

S21. Ans.(a)

S22. Ans.(b)

S23. Ans.(d)

S24. Ans.(d)

S25. Ans.(a)

Sol. 00, 78, 13, 67, 23

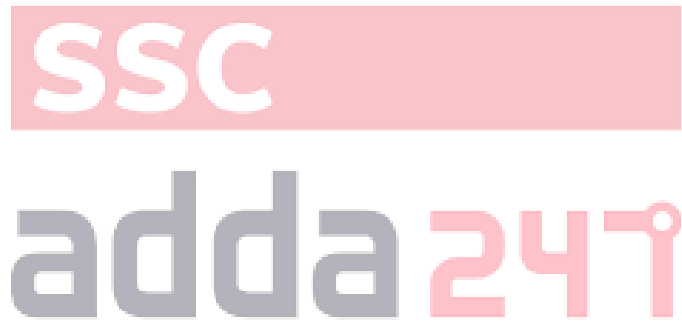
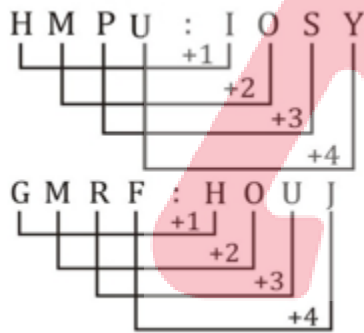
S26. Ans.(b)

Sol.

Vacant → Empty }
Dearth → Scarcity } Synonyms are given

S27. Ans.(b)

Sol.



S28. Ans.(b)

Sol.

$$7^2 + 1 = 49$$

$$8^2 + 1 = 65$$

$$11^2 + 1 = 122$$

$$12^2 + 1 = 145$$

S29. Ans.(c)

Sol. Jupiter is a planet not a black hole.

S30. Ans.(c)

Sol. +6 series, except SZ (+7 series)

Bilingual

SSC CHSL

PRIME

265+ Total Tests

2020-21 Online Tests