

Reasoning Mega Quiz for SSC Tier-1 (Solutions)

S1. Ans.(a)

S2. Ans.(b)

Sol. The phrase “only book” in the statement makes II implicit. However, nothing about the state of poverty before 1950 can be deduced from the statement. So, I does not follow.

S3. Ans.(b)

Sol. Nothing about the growth of economy is mentioned in the statement. So, I does not follow. Also, it is given that 35% of national income is shared by 10% of households. This indicates unequal distribution. So, II follows.

S4. Ans.(a)

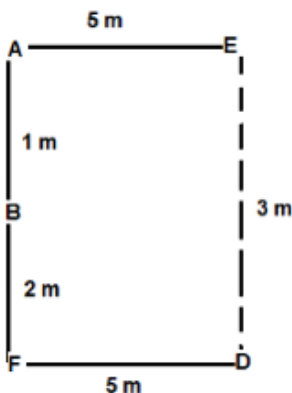
Sol. Since the advertisement wants girls “able to speak fluently in English” it must have assumed that fluency in English is a requirement for a good model. But height as a criteria is not described in the statement so, the only 1st assumption will implicit.

S5. Ans.(d)

Sol. Since an advertisement offers “best training” in the field of “computers”, it must have been assumed by the advertisers that people want “computer training and that they want the “best training”. So, both assumptions are implicit.

S6. Ans.(b)

Sol.



S7. Ans.(b)



BILINGUAL
SSC
COMPLETE FOUNDATION
2020-21 Batch 2.0
 Starts Dec 28, 2020
 11 AM to 05 PM

S8. Ans.(a)

Sol. Difference of 1, 4, 9, 16 and 25.

S9. Ans.(b)

Sol. - 4 difference between alternate terms written in reverse order.

S10. Ans.(c)

Sol. Except option (c), all other have a difference of 17.

S11. Ans.(a)

S12. Ans.(b)

S13. Ans.(d)

S14. Ans.(d)

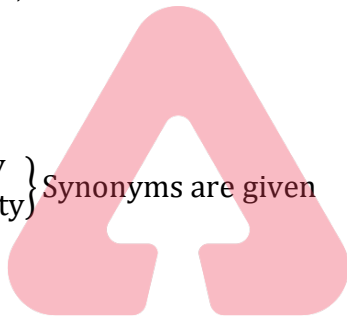
S15. Ans.(a)

Sol. 00, 78, 13, 67, 23

S16. Ans.(b)

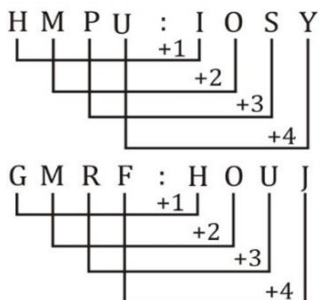
Sol.

Vacant → Empty }
Dearth → Scarcity } Synonyms are given



S17. Ans.(b)

Sol.



S18. Ans.(b)

Sol. $7^2 + 1 = 49$

$8^2 + 1 = 65$

$11^2 + 1 = 122$

$12^2 + 1 = 145$

S19. Ans.(c)

Sol. Jupiter is a planet not a black hole.

S20. Ans.(c)

Sol. +6 series, except SZ (+7 series)

S21. Ans.(d)

Sol. Earth is a planet while moon is a satellite.

S22. Ans.(b)

Sol. Except (b), all other are places where worship is offered.

S23. Ans.(b)

Sol.

Correct order of dictionary is :-

3. Pea

4. Peanut

1. Pearl

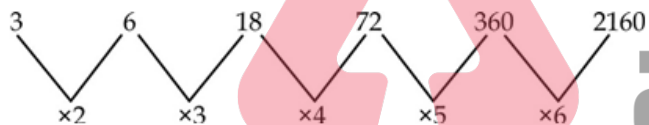
2. Peasant

S24. Ans.(a)

Sol. g f e i i / g f e i i / g f e i i / g f e i i

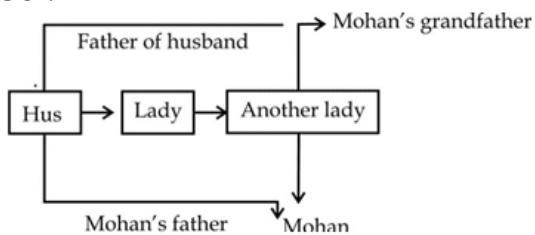
S25. Ans.(d)

Sol.



S26. Ans.(d)

Sol.



So according to family tree we get that option (d) is correct.

S27. Ans.(a)

Sol.

Two years ago, let age of Aadhya and his son be $3x$ and x resp.

ATQ,

$$2(3x + 4) = 5(x + 4)$$

$$6x + 8 = 5x + 20$$

$$x = 12$$

So, Aadhya's present age = $12 \times 3 + 2 = 38$ years

S28. Ans.(d)

Sol.

M	<u>-2</u>	K	So	H	<u>-2</u>	F
O	<u>-2</u>	M		O	<u>-2</u>	M
T	<u>-2</u>	R		U	<u>-2</u>	S
H	<u>-2</u>	F		S	<u>-2</u>	Q
E	<u>-2</u>	C		E	<u>-2</u>	C
R	<u>-2</u>	P				

S29. Ans.(b)

Sol.

$3 \times 4 \Rightarrow 3 + 4 + 3 = 10$
 $5 \times 8 \Rightarrow 5 + 8 + 5 = 18$
So, $7 \times 7 \Rightarrow 7 + 7 + 7 = 21$

S30. Ans.(b)

Sol.

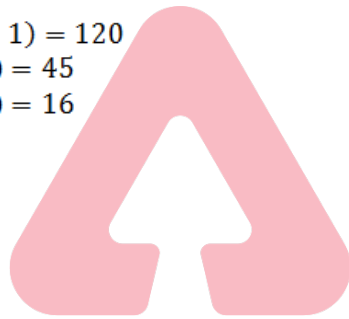
$(1 + 11) \times (11 - 1) = 120$
 $(2 + 7) \times (7 - 2) = 45$
 $(3 + 5) \times (5 - 3) = 16$



SSC & RAILWAY
MAHAPACK

Live Class | Test Series
Video Course | Ebook

BILINGUAL



SSC
adda247